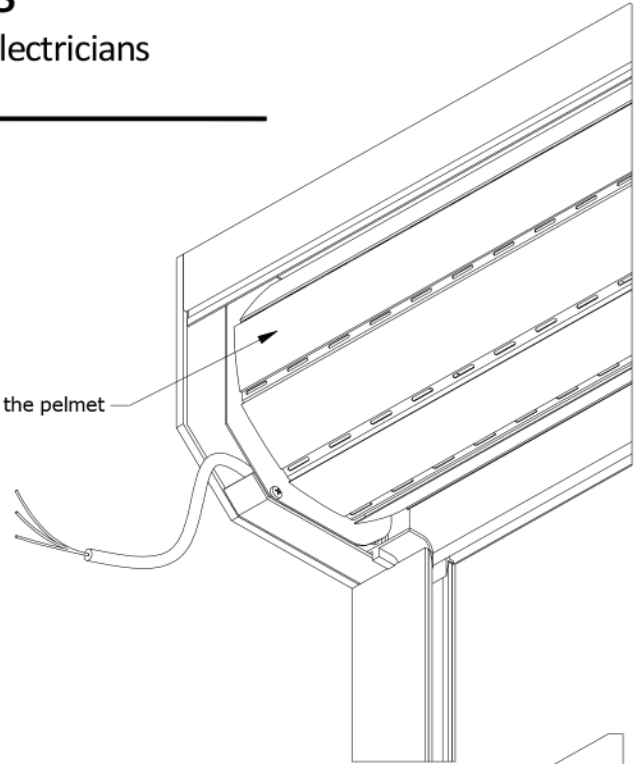


1: Before wiring the motor, roller shutter must be unrolled to access the protective plate.

*(This will require temporary power to do so.  
DO NOT MANUALLY UNRAVEL THE SHUTTER)*

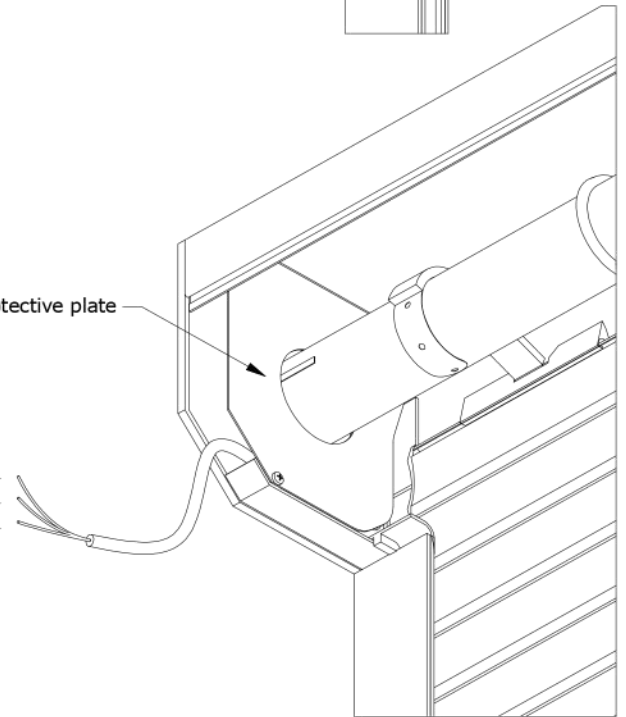
Shutter rolled inside the pelmet



2: Connect the motor temporarily according to the included wiring instructions and operate the motor to open the roller shutter.

protective plate

L  
N  
E

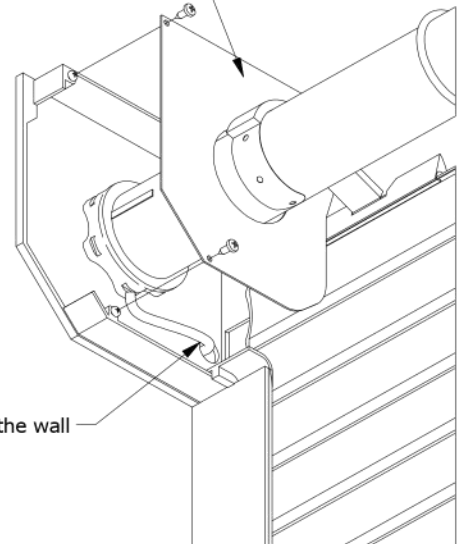


3: Disconnect the motor and unscrew the protective plate. Slide the protective plate over the axel and feed the wire into wall.

Use the provided instructions to wire motor and put the protective plate back in place when done.

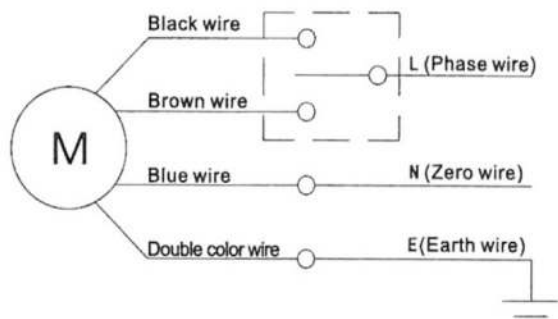
Unscrew and slide the protective plate

Feed the wire into the wall



# 1: WIRE SPLICE

■ 230V/50Hz(120V/60Hz)(0.6A)  
WIRING DIAGRAM: (Outside receiver)



■ 230V/50Hz(120V/60Hz)(0.6A)  
WIRING DIAGRAM: (Inside receiver)

