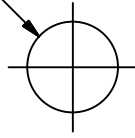


Top of the Pelmet Box
Fold here for In-Reveal Installation

Fold here
and place the guides
over the hatched area

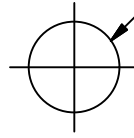
Left

In-Reveal
10 mm hole for cable
if control side is
Right hand inside

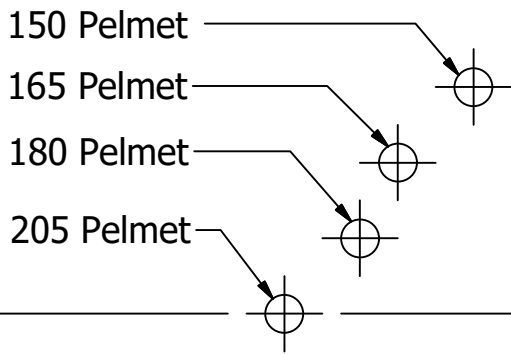


Right

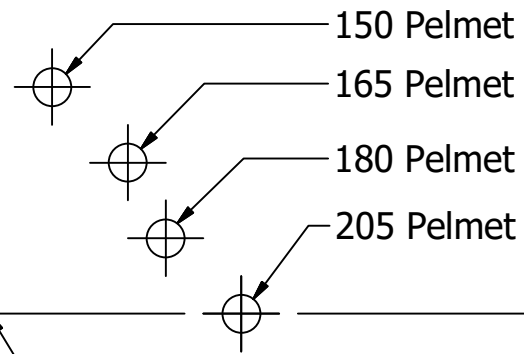
In-Reveal
10 mm hole for cable
if control side is
Left hand inside



**Pelmet Fixing Point
(Use 6 mm drill bit)**



**Pelmet Fixing Point
(Use 6mm drill bit)**



150 Pelmet Box

165 Pelmet Box

180 Pelmet Box

205 Pelmet Box

Scale 0 1 2 3 4 5 cm

**Note: Measure up the scale and
make sure the scale is correct
before proceeding to use the
template.**

Shutter Guides